

PNC

965998601

ML

02

Model

GD 51 VDA

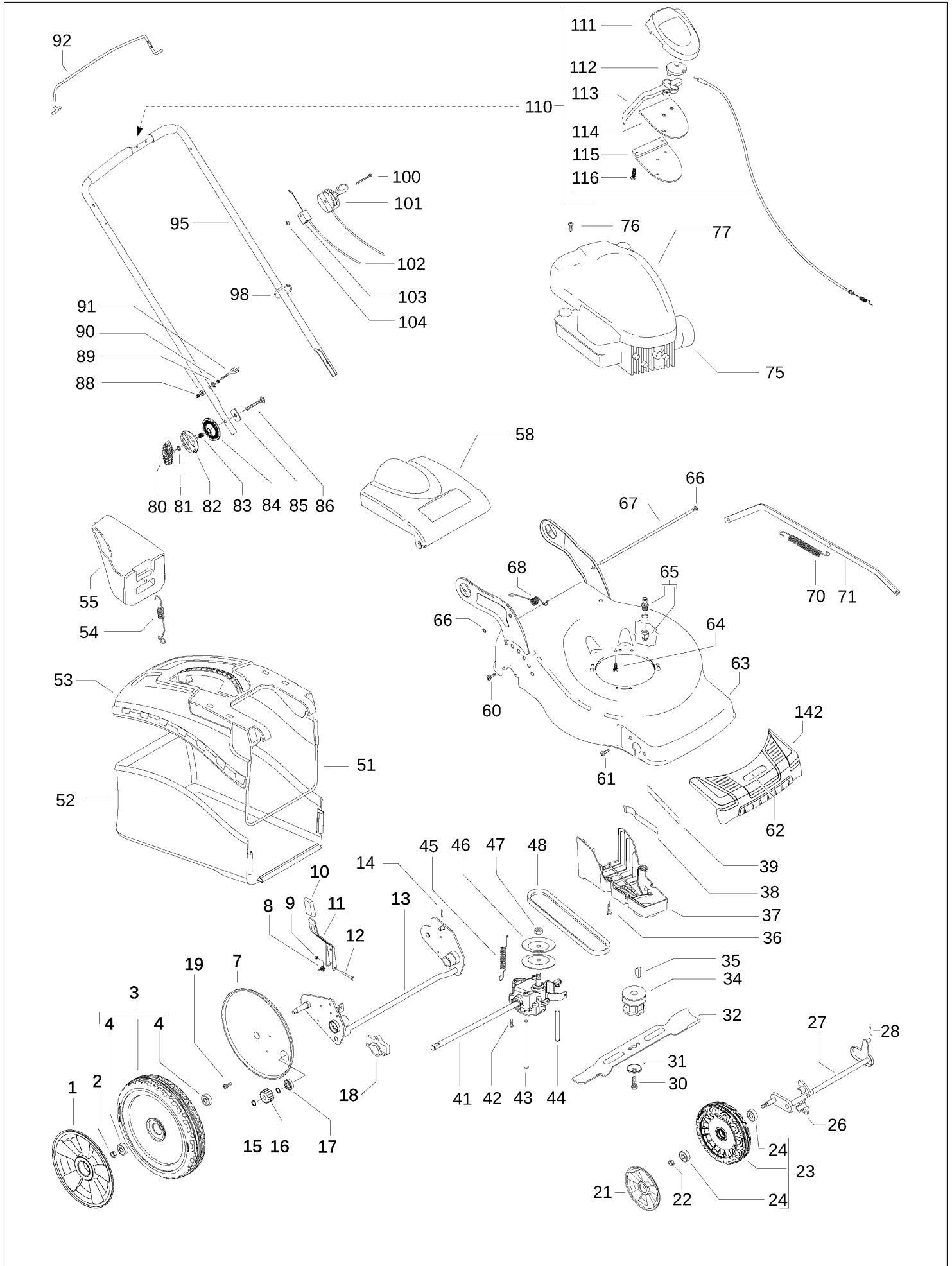
Brand

Gardena

Number of Pages 1 of 3

| | | | |
|----------------------------|---------------------------|------------------------|--------------|
| Factory: | IIQ - Valmadrera | Product Group: | OP 93 |
| Publication Number: | EIPL2009_V04000003 | Petrol Portable | |
| Publication Date: | 23/01/09 | Sub Group | 1071 |

HUSQVARNA OUTDOOR PRODUCTS ITALIA SPA



HUSQVARNA OUTDOOR PRODUCTS ITALIA SPA

| Item | PN | Description | Qty | Item | PN | Description | Qty |
|------|--------------|-------------------------------|-----|------|--------------|--|-----|
| 1 | 504 54 22-01 | wheel cover Ø280 | 2 | 70 | 531 20 50-56 | wheel regulation spring | 1 |
| 2 | 504 85 78-01 | nut M8, self locking, flanged | 2 | 71 | 531 21 32-63 | wheel regulation bar | 1 |
| 3 | 505 43 60-01 | wheel assy Ø280 | 2 | 75 | ———— | engine, Briggs & Stratton, model number 126T024837 | 1 |
| 4 | 504 54 82-01 | ball bearing | 4 | 76 | 531 21 38-70 | screw | 2 |
| 7 | 504 53 99-01 | dust shield Ø280 | 2 | 77 | 531 21 39-98 | engine cover | 1 |
| 8 | 531 21 08-17 | spring, wheel regulator lever | 1 | 80 | 525 34 74-01 | knob | 2 |
| 9 | 531 20 84-92 | nut M5, self locking | 1 | 81 | 531 20 49-22 | washer | 2 |
| 10 | 525 34 74-02 | handle, wheel regulator | 1 | 82 | 531 21 14-74 | locking disc, outer | 2 |
| 11 | 525 34 84-01 | wheel regulator lever | 1 | 83 | 531 21 14-76 | spring | 2 |
| 12 | 538 23 58-07 | screw M5x45 | 1 | 84 | 531 21 14-73 | locking disc, inner | 2 |
| 13 | 510 09 28-01 | rear axle | 1 | 85 | 531 21 15-81 | plate | 2 |
| 14 | 531 20 66-53 | cotter pin | 1 | 86 | 531 21 14-80 | screw M8x55 | 2 |
| 15 | 531 20 87-72 | seeger | 2 | 88 | 531 20 84-91 | nut M6 self | 2 |
| 16 | 544 34 23-01 | gear | 2 | 89 | 531 20 49-61 | washer | 4 |
| 17 | 531 20 87-78 | ball bearing | 2 | 90 | 531 20 71-65 | nut M6 | 2 |
| 18 | 531 20 59-44 | rear axle housing | 2 | 91 | 531 20 51-69 | starter cable guide | 2 |
| 19 | 531 20 78-56 | screw M5x10 | 4 | 92 | 544 46 38-01 | brake lever | 1 |
| 21 | 544 44 59-01 | wheel cover Ø190 | 1 | 95 | 525 34 73-03 | handle | 1 |
| 22 | 504 85 78-01 | nut M8, self locking, flanged | 2 | 99 | 531 20 55-81 | binder | 2 |
| 23 | 544 91 73-01 | wheel assy Ø190 | 2 | 100 | 531 21 35-17 | screw M6x80 | 1 |
| 24 | 504 54 82-01 | ball bearing | 2 | 101 | 531 21 34-91 | accelerator lever and cable | 1 |
| 26 | 531 20 50-57 | front axle housing | 4 | 102 | 531 21 35-22 | brake cable | 1 |
| 27 | 504 85 65-01 | front axle | 1 | 103 | 531 20 80-43 | cable support | 1 |
| 28 | 531 20 66-53 | cotter pin | 1 | 104 | 531 20 80-63 | nut M6 | 1 |
| 30 | 531 20 80-08 | screw, 3/8" | 1 | 110 | 544 93 29-11 | EZ control assy | 1 |
| 31 | 531 20 72-37 | spring washer | 1 | 111 | 532 41 35-42 | cover | 1 |
| 32 | 504 11 33-01 | mulching blade | 1 | 112 | 532 18 73-53 | pulley | 1 |
| 34 | 531 20 61-69 | blade support | 1 | 113 | 505 53 12-03 | lever | 1 |
| 35 | 505 29 09-01 | key | 1 | 114 | 532 41 35-41 | plate | 1 |
| 36 | 531 20 78-56 | screw 5x10 | 3 | 115 | 532 18 70-97 | holder | 1 |
| 37 | 544 46 23-01 | belt cover | 1 | 116 | 532 18 16-98 | screw | 5 |
| 38 | 504 04 61-01 | belt guide | 1 | 142 | 523 12 44-01 | front cover | 1 |
| 39 | 544 46 25-01 | belt guide | 1 | | | | |
| 41 | 504 54 14-03 | gear box | 1 | | | | |
| 42 | 510 03 75-01 | screw 4x16 w. washer | 2 | | | | |
| 43 | 504 10 31-01 | belt guide | 1 | | | | |
| 44 | 544 93 43-01 | belt guide | 1 | | | | |
| 45 | 544 93 47-01 | gear box spring | 1 | | | | |
| 46 | 504 54 79-01 | pulley plate | 2 | | | | |
| 47 | 504 54 80-01 | nut | 2 | | | | |
| 48 | 504 10 33-01 | belt Z30 10X765 | 1 | | | | |
| 51 | 531 21 35-88 | sack frame | 1 | | | | |
| 52 | 525 34 81-03 | sack | 1 | | | | |
| 53 | 525 34 81-02 | sack cover | 1 | | | | |
| 54 | 531 21 11-91 | spring, mulching plug | 1 | | | | |
| 55 | 531 21 33-93 | mulching plug | 1 | | | | |
| 58 | 525 34 83-02 | safety flap | 1 | | | | |
| 60 | 531 20 82-16 | screw 5x16, self threading | 2 | | | | |
| 61 | 531 20 88-44 | screw 4.3x16, self threading | 4 | | | | |
| 62 | 525 34 00-01 | label, Gardena | 1 | | | | |
| 63 | 515 99 14-52 | deck | 1 | | | | |
| 64 | 531 21 28-51 | screw 3/8" + split washer | 3 | | | | |
| 65 | 525 34 78-01 | snap on connector 1/2" | 1 | | | | |
| 66 | 531 21 08-24 | lock washer | 2 | | | | |
| 67 | 531 20 50-60 | safety flap bar | 1 | | | | |
| 68 | 531 21 18-40 | spring | 1 | | | | |